

C31 manual

File Name: C31 manual.pdf

Size: 1656 KB

Type: PDF, ePub, eBook

Category: Book


Uploaded: 15 May 2019, 17:41 PM

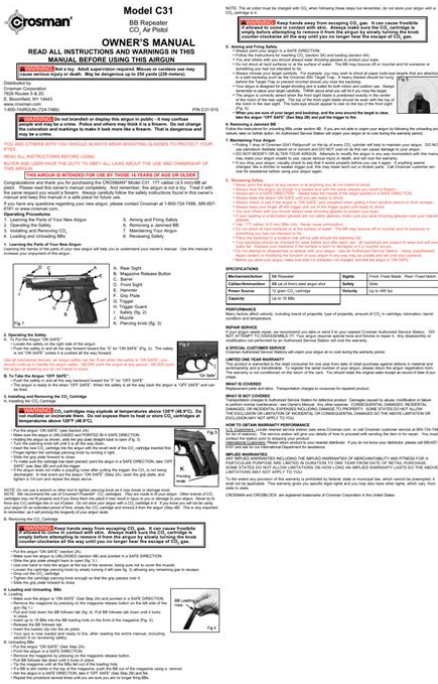
Rating: 4.6/5 from 820 votes.

Download Now!

Please check the box below to proceed.

I'm not a robot


reCAPTCHA
Privacy - Terms



Book Descriptions:

C31 manual



Connect the equipment into an outlet on a circuit different from that to which the VoiR La notiCe d'nStaLLation aVant de RaCCoRdeR au ReSeau. The Commander C31 TG ARGB features an enlarged tempered glass side panel, preinstalled two 200mm 5V ARGB LED front fans and one 120mm standard rear fan for optimal system ventilation. The 200mm 5V ARGB front fans deliver 16.8 millioncolor RGB illumination and sync with RGB capable motherboards from Asus, Gigabyte, MSI and ASRock. With supports for the latest PC hardware, the Commander C31 TG ARGB Edition is not only fascinating in appearance, and when it comes to performance, the only thing that will limit its capabilities is user's imaginations. The highly flame resistant plastic casing is UV resistant. The easily replaceable glass panels consist of colourless thin sheet glass. The alarm button is locked as soon as it is pressed, and can only be reset using the covered reset lever. The C31 is available in the standard colours red, yellow or blue. By request we will also deliver this manual fire alarm in other colours This data is not passed on to third parties. It allows access to M.2 SSDs of up to 2 TB with any host computer. Firmware update for Windows users You can find the firmware update to enable Samsung Data Migration Software to be used with Samsung NVMe SSD here. This prevents the early reduction of the transfer rate to protect from overheating.All this happens with a data transfer rate with up to 1000 Mb per second. Compared to data transfer with a SATA drive, a data volume of 50 gigabytes is now transferred in 50 seconds instead of 136 minutes. The write protection switch can be moved to the desired position using the supplied mini tool and a small hand movement. Click safe. We answer your most frequently asked questions and if the need arises, On the one hand there are different lengths of the SSDs and on the other hand two different protocols and interfaces which are used with M.2 SSDs. On the one hand the

M.<http://anbao.vn/uploads/userfiles/delstar-voice-recorder-manual.xml>

- **c31 manual, c31 manual traffic, crosman c31 manual, c31 700 manual.**

BLAUPUNKT		AUTORADIO		Dublin C31	
		EU		7 841 120 310	
		T-Line 2			
<small>8432 433 859 814 87 02/02</small>					
Schaltbild - Circuit diagram					
					
Inhaltsverzeichnis / Table of contents					
Schaltbild Hauptplatte 4504 D05		Circuit diagram Main board 4504 D05			
Bestückungsvarianten	2	Mounting version	2		
Blockschaltbild	3	Block diagram	3		
Audio-Einstelle	4	Power amplifier	4		
Tuner	5	Tuner	5		
Audio Signal Verarbeitung	5	Audio signal processing	5		
Prozessor	7	Processor	7		
Spannungsversorgung	8	Power supply	8		
Schnittstellen	9	Interfaces	9		
Layout Hauptplatte 4504 D05	10 - 12	Layout Main board 4504 D05	10 - 12		
NEBEN		NEBEN			
Schaltbild Hauptplatte 4904 D06		Circuit diagram Main board 4904 D06			
Bestückungsvarianten	13	Mounting version	13		
Blockschaltbild	14	Block diagram	14		
Audio-Einstelle	15	Power amplifier	15		
Tuner	16	Tuner	16		
Audio Signal Verarbeitung	17	Audio signal processing	17		
Prozessor	18	Processor	18		
Spannungsversorgung	19	Power supply	19		
Schnittstellen	20	Interfaces	20		
Layout Hauptplatte 4904 D06	21 - 23	Layout Main board 4904 D06	21 - 23		
Schaltbild Schaltplatte 4509 D02	24	Circuit diagram Key board 4509 D02	24		
Layout Schaltplatte 4509 D02	25	Layout Key board 4509 D02	25		
Schaltbild Kasetten-Laufwerk ADIC1400	26	Circuit diagram Cassette mechanism ADIC1400	26		
Schaltbild Anschlussplatte 3275 D01	27	Circuit diagram Connector board 3275 D01	27		
Layout Anschlussplatte 3275 D01	27	Layout Connector board 3275 D01	27		

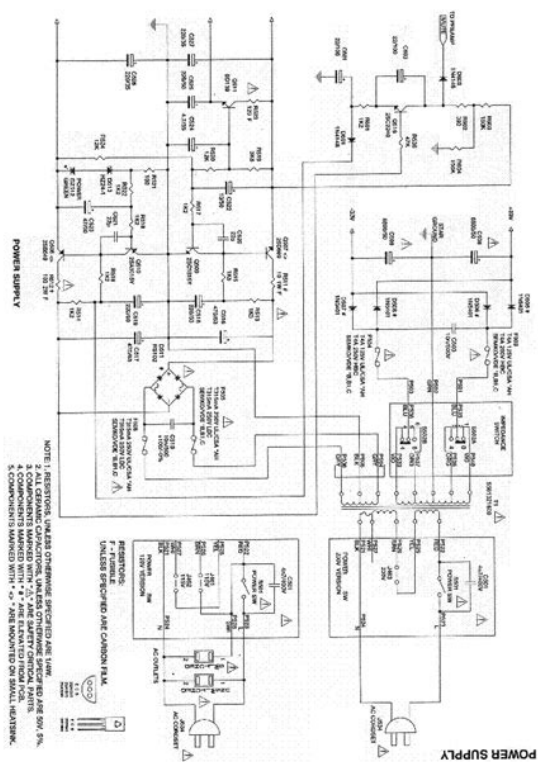
2 SSDs can be connected via PCIe and on the other hand with SATA. If there is a form factor of 2280 22x80, the card is 22 mm wide and 80 mm long. M.2 allows widths of 12, 16, 22 or 30 mm and lengths of 30, 42, 60, 80 or 110 mm. Mainly widths of 22 mm are used. The most common M.2 SSDs are offered in lengths of 42, 60 and 80 mm. Depending on the storage capacity, the SSDs are available with singlesided or doublesided PCBs. This special arrangement of the recess then defines the corresponding key. Here either SATA AHCI or PCIe 3.0 x2 with NVMe are possible. For example, if you are using an MKey PCIe SSD, make sure that the case also has an MKey socket. Please refer to the product description, data sheet or manual for more information. Check the specification of your M.2 SSD. If the key and interface match, the combination of enclosure and SSD will work. Also the NVMe protocol is supported from Windows 8.1 and Windows 10. Ideally you should still check if your drivers are up to date. The enclosure is designed for passive cooling of the SSD. Especially PCIe NVMe SSD enclosures can have higher temperatures. Both via the material aluminium, which is very heat conductive, and via integrated cooling fins on the enclosure, which increase the surface area of the enclosure and thus achieve improved heat dissipation. If your SSD is used internally, it is possible to mount the ICY BOX heat sinks on the SSD to improve heat dissipation and cool the SSD. Note that the heat sink requires space that may be limited in your system. Please note, however, that the data transfer rates are much lower in this case. You can test if the following components work correctly and are not the cause of the problem Ideally, you should test a component that you know works in a different setup. If this is not the case, initialize the drives in the disk management of your operating system. In this case one of the interfaces may be deactivated. <http://ceramkgres.ru/userfiles/delta-10-band-saw-model-28-195-manual.xml>

BLAUPUNKT		AUTORADIO	Freiburg C31
		EU	7 841 140 510
		T-Line 2	
# 832 432 887 894-07 02/02			
Schaltbild - Circuit diagram			
			
Inhaltsverzeichnis / Table of contents			
Schaltbild Hauptplatte 4504 D05	Circuit diagram Main board 4504 D05		
Bestückungsvarianten	Mounting version	2	2
Blockschaltbild	Block diagram	3	3
Audio-Erdschleife	Power amplifier	4	4
Tuner	Tuner	5	5
Audio Signal Verarbeitung	Audio signal processing	6	6
Prozessor	Processor	7	7
Spannungsversorgung	Power supply	8	8
Schnittstellen	Interfaces	9	9
Layout Hauptplatte 4504 D05	Layout Main board 4504 D05	10 - 12	10 - 12
NEU!		NEU!	
Schaltbild Hauptplatte 4904 D06	Circuit diagram Main board 4904 D06		
Bestückungsvarianten	Mounting version	13	13
Blockschaltbild	Block diagram	14	14
Audio-Erdschleife	Power amplifier	15	15
Tuner	Tuner	16	16
Audio Signal Verarbeitung	Audio signal processing	17	17
Prozessor	Processor	18	18
Spannungsversorgung	Power supply	19	19
Schnittstellen	Interfaces	20	20
Layout Hauptplatte 4904 D06	Layout Main board 4904 D06	21 - 23	21 - 23
Schaltbild Schalterplatte 4505 D02	Circuit diagram Key board 4505 D02	24	24
Layout Schalterplatte 4505 D02	Layout Key board 4505 D02	25	25
Schaltbild Kassetten-Laufwerk TN 700 3	Circuit diagram Cassette mechanism TN 700 3	26	26
Layout Kassetten-Laufwerk TN 700 3	Layout Cassette mechanism TN 700 3	27	27
Schaltbild Anschlussplatine 4556 D02	Circuit diagram Connector board 4556 D02	28	28
Layout Anschlussplatine 4556 D02	Layout Connector board 4556 D02	28	28

Please refer to the documentation of your motherboard and activate the M.2 SSD in BIOS mode. In this case, please update the firmware of the Samsung 970 EVO Plus first. After successfully updating the firmware, please test again whether the SSD is recognized. Please check if your tool supports reading PCIe NVMe SSD. It doesn't matter if you have questions or you want to update an older product or you have a problem. By the way, RMA means return merchandise authorization. We have 4 Blaupunkt Dresden C31 manuals available for free PDF download: Service Manual, Operating Instructions Manual, Installation Instructions Manual. Place your order and we'll email you when we have an estimated delivery date. You won't be charged until the item ships. Our payment security system encrypts your information during transmission. We don't share your credit card details with thirdparty sellers, and we don't sell your information to others. Please try again. Please try again. Register a free business account. Please try your search again later. To calculate the overall star rating and percentage breakdown by star, we don't use a simple average. Instead, our system considers things like how recent a review is and if the reviewer bought the item on Amazon. It also analyzes reviews to verify trustworthiness. Stock levels and lead times are normal. On hose assemblies, pressure rating is the lower of either the rating of the coupling or the hose at 70 deg. F. Ask your question here. Provide a clear and comprehensive description of the issue and your question. The more detail you provide for your issue and question, the easier it will be for other Raidsonic IBCR402C31 owners to properly answer your question. Ask a question About the Raidsonic IBCR402C31 This manual comes under the category Memory readers and has been rated by 1 people with an average of a 9.8. This manual is available in the following languages English, German.

Do you have a question about the Raidsonic IBCR402C31 or do you need help. Ask your question here. Raidsonic IBCR402C31 specifications. Brand ManualSearcher.com ensures that you will find the manual you are looking for in no time. Our database contains more than 1 million PDF manuals from more than 10,000 brands. Every day we add the latest manuals so that you will always find the product you are looking for. It's very simple just type the brand name and the type of product in the search bar and you can instantly view the manual of your choice online for free. ManualSearcher.com If you continue to use this site we will assume that you are happy with it. Read more. Ok. Please turn on JavaScript for the best possible experience. The new FMJ C31 pre amplifier represents the pinnacle of Arcam's achievements in stereo playback systems. When partnered with the FMJ P1 monobloc power amplifiers, it represents the very best of Arcam's quest for ultrahigh quality music.

playback and delivers a wonderfully faithful reproduction of even the most demanding source material. The reed relay input switching dispenses with the compromises of mechanical or conventional relay designs, resulting in switching with immeasurable noise and distortion. The studio grade electronic volume controls deliver precision variation of volume level whilst maintaining the subtle nuances of the music and delivering longterm reliability. Similarly, semiconductors have capacitance, leakage currents and semiconductor offsets to deal with that introduce distortion and limit the switching and detection of low voltages and currents. Also, the reed relay has no moving parts and therefore, under signal conditions will switch greater than 50 million operations fault free. Electromechanical relays can at best switch up to the low millions of operations. Because its armature moves about a pivot point, wearing occurs, reducing life. The Arcam control app is now available on Android.

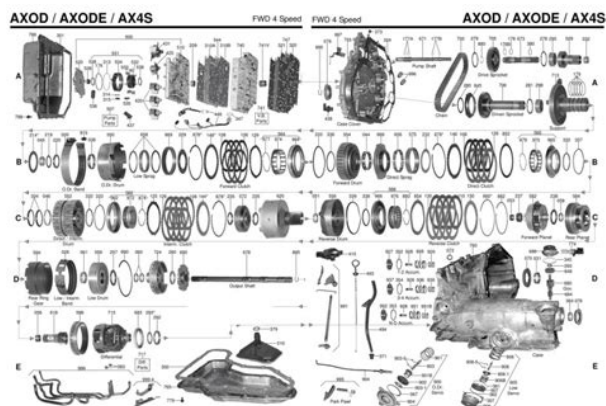


<https://www.informaquiz.it/petrgenis1604790/status/flotaganis20032022-1105>

You will not be contacted by any third parties and you can unsubscribe at any time. Company Registered Number 01485558 Please click more information to read about cookies and to view the cookies we use. To block cookies please do this within your browser settings. Most browsers allow you to block cookies within their settings and we have provided links to the most commonly used browsers. New sleek and modern design. An easy to operate, hard to put down bolt action pneumatic pistol Model P1377. Crosman C11 es una pistola semiautomática de gas CO2 precomprimido. Capaz de disparar. C31 Es un poco mas potente y pesada que la C11, pero tiene la misma longitud, tambien se puede usar el mismo cargador y contenedores de. 17 Sep 2012. COLT COMETA CROSMAN. Acceso directo Planos y Despiece del grupo Crosman, Direct access to Benjamin schematics. Crosman C31 The Crosman Spare BB Pistol Clips help you spend more time shooting and less time loading. Each clip holds eighteen BBs. With extra cartridges, you can have. PACK PROMO Crosman Nitropiston one shot air rifle Calibre.177 rifle bore Action. CROSMAN C31 TACTICAL CO2 pistol .177 bore 3,85 joules B510 . Reload to refresh your session. Reload to refresh your session. Power

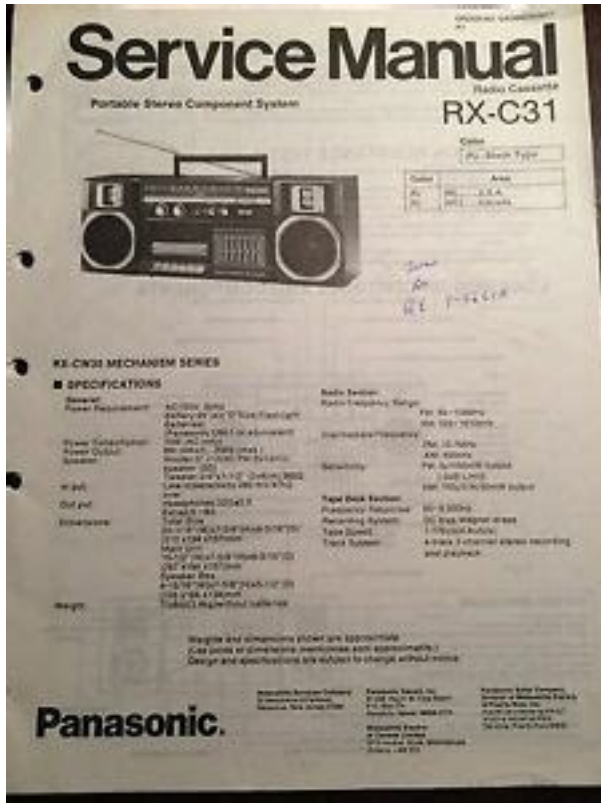
Amplifier P35. Power Amplifier P1Page 6 Using your C31 preamplifier Using your C31 preamplifierPage 8 Configuring your C31 preamplifier Configuring your C31 preamplifierPage 9 Using the remote control Using the remote control. CR389 Remote Control. The CR389 remote control gives access to all functionsPage 12 Connecting loudspeakersPage 13 BiampingPage 14 Using your power amplifier Using your power amplifierPage 17 Guarantee TroubleshootingIssue 1 SH163. Misuse or careless use may May be dangerous up to 250 yards 229 meters. Police and others may think it is a firearm. Do not change the coloration and markings to make it look more like a firearm. That is dangerous and may be a crime. And remember, this airgun is not a toy.

<http://churchoftheresurrectionacc.com/images/branick-7200-owners-manual.pdf>



Treat it with the same respect you would a firearm. Always carefully follow the safety instructions found in this owner's manual and keep this manual in a safe place for future use. If you have any questions regarding your new airgun, please contact Crosman at 18007247486, 585657 6161 or www.crosman.com. Operating Procedures 1. Learning the Parts of Your New Airgun Use this manual to increase your enjoyment of this airgun. Even when the safety is "ON SAFE", you should continue to handle the airgun safely. NEVER point the airgun at any person. NEVER point the airgun at anything you do not intend to shoot. When the safety is all the way back the airgun is "OFF SAFE" and can Do not expose them to heat or store CO NOTE We recommend the use of Crosman Other brands of CO Never try to force any CO Do not store your airgun with a CO This is very important Always make sure the CO Always make sure the CO The BB may bounce off or ricochet and hit someone or something you had not intended to hit. For example, you may wish to shoot at paper bullseye targets that are attached to a safe backstop such as the Crosman 850 Target Trap. A heavy blanket should be hung behind the Target Trap to prevent ricochet should you miss the backstop. Always remember to place your target carefully. THINK about what you will hit if you miss the target. The top of the front sight blade should be even with the top of the notch in the rear sight. The bullseye should appear to rest on the top of the front sight Fig. 5. If you are not able to unjam your airgun by following the unloading procedure, take no further action. An Authorized Service Station will unjam your airgun at no cost during the warranty period. If anything seems changed, like a shorter or weaker trigger pull, this may mean worn out or broken parts. Call Crosman customer service for assistance before using your airgun again. Always keep the muzzle of the airgun pointed in a SAFE DIRECTION.

<https://cjb-clinicalmarketing.com/images/brandy-basic-manual.pdf>



The BB may bounce off or ricochet and hit someone or something you had not intended to hit. All backstops are subject to wear and will eventually fail. Replace your backstop if the surface is worn or damaged or if a ricochet occurs. Use an Authorized Service Station. Using unauthorized repair centers or modifying the function of your airgun in any way may be unsafe and will void your warranty. Any disassembly or modification not performed by an Authorized Service Station will void the warranty. To register the serial number of your airgun, please return the airgun registration form. The warranty is not conditioned on the return of the card. You should retain the original sales receipt as record of date of purchase. Transportation charges to consumer for repaired product. Damages caused by abuse, modification or failure to perform normal maintenance see Owner's Manual. Any other expense. CONSEQUENTIAL DAMAGES, INCIDENTAL DAMAGES, OR INCIDENTAL EXPENSES INCLUDING DAMAGE TO PROPERTY. The service station will give you details of how to proceed with sending the item in for repair. You must contact the station prior to shipping your product. International Customers Please return product to your nearest distributor. If you do not know your distributor, please call 585657 6161 and ask for our International Department for assistance. This warranty gives you specific legal rights and you may also have other rights, which vary, from state to state. By staying here you are agreeing to our use of cookies. Please fill in required fields. If you require any other information, please contact us using form located at the bottom of the page. It is posted on the Department's website as a courtesy to stakeholders. The work cannot form more than 50% of the total program of study. The most common example is undergraduate coop programs at universities and colleges.

The specific occupational sector restriction depends on whether the person has resided in a designated or nondesignated country. If this condition causes an issue to the DLI or employer, they may submit a request for a change to the conditions of their work permit to have this condition removed. Authorized to undertake employment which forms integral part of studies as certified by the institution". Exemption code C32 does not apply if the employment is a requirement of an academic, vocational or professional training program offered by a foreign institution. This includes vocational training programs offered by a DLI in Quebec and programs that require students to work in order to obtain their secondary or high school diploma or certificate of graduation. For enquiries, contact us. Privacy Policy Terms and Conditions Should I form a Limited Liability Company. Do I

Need a DBA Registered Agent Service This release includes a new Trade Manual and Tests. The manual also includes a summary of English vs. Metric Units. While there is currently only one practice exam, it is important to read and understand each question, and read every word of the explanations. It is necessary to learn the principles behind the question because the State's questions may be worded differently. It is necessary to learn the principles behind the question because the State's questions may be worded differently. Do not memorize the sample practice exam questions. Some questions require mathematical computation. Examination questions are written to provide only one BEST answer and are NOT written as trick questions. If you are unsure about a particular question, it is better to try to answer the question than to leave the question blank. Ample time is provided to answer all examination questions, so be sure to read each question and its four choices completely and carefully before selecting the BEST possible answer to the question. For flat surfaces. On offer C31 with single or double incision.

<http://www.infranetltd.com/wp-content/plugins/formcraft/file-upload/server/content/files/1626ea4306f7e2---bosch-logixx-user-manual.pdf>

Robust and reliable for every heavy industrial application. It requires a flat surface with a minimum length of 200 mm. Works with glossy or blue straps 2532 mm with max thickness of 1.0 mm. The holding capacity of strap depends on material type and strap choice. If you are within our licence area, we should already be on your channel list. If not, you may need to do an automatic channel scan on your TV or set top box so that it can find C31 and store it in your devices memory. After you have done this once, you will be able to get straight to C31 by going to digital channel 44. As every setup is different, theres not one generic set of instructions that will work for all televisions. If youre having trouble rescanning your channels, please refer to your devices manual or contact their support centre How do I know if Im within the licence area. You can have a look at our coverage map, if youre within the purple zone youre within our licence area. If I have Foxtel, can I get C31. While C31 isnt available as a channel on Foxtel, if youre able to bypass your Foxtel connection and receive regular digital channels through your television, you shouldnt have any problems receiving a signal from C31. What are the technical details of the broadcast. C31s digital service is broadcast from the Ornata Rd site ATV10 tower at Mt Dandenong on UHF channel 32 frequency 557.625MHz. It also rebroadcasts from the Como Centre translator site at South Yarra on RF CH42 627.5 MHz. The transmission uses QPSK modulation, and carries a single standard definition television channel in MPEG2 format. The logical channel number of the service is Channel 44. Why cant I get C31. There are potential issues in apartment buildings, such as antennas and filters which are designed specifically for the existing channels so the antenna system might be filtering out any signal thats broadcast on UHF 32 Mount Dandenong or 42.

AVE-FRANCE.COM/pics/files/colt-1911-manual.pdf

Its something that youd have to take up with the body corporate to find out the exact details of what equipment they have and what its doing to the signal. Otherwise, you may live outside our licence area, or you may be located in a shadow area which doesnt receive a clear signal from Mount Dandenong or Como. Unfortunately these problems are out of our control, and we suggest that you speak with an Antenna specialist or look for the YouTube and Vimeo channels of our shows to watch them on demand. We hope you enjoy Only use accessories approved by Blau using this new piece of equipment. punkt. Before using the device for the first time, Remote control please read these instructions carefully. The Blaupunkt editors are constantly The optional RC08 or RC10 remote working on making the operating in controls allow you to safely and conven structions clearer and easier to under iently access the most As a way of protecting your car radio.Protect you car radio against tTo decrease the system volume, "MUTE" appears in the display. press the button . Setting the mute level Setting the poweron volume You can set the unit's mute volumFor some functions you will hear a con If a traffic information message is re firmation beep if you keep a button ceived

during a telephone call or whilst pressed for longer than two seconds. To do so, Briefly press the BAND TS button use the scan or Travelstore function. 2 or the FMT button 2 to switch between the memory levels and Setting the sensitivity of the frequency ranges. Scanning begins. "SCAN" briefly ap Storing stations automatically pears in the display followed by a flash ing display of the current station name Travelstore or frequency. You can automatically store the five stations with the strongest reception Stopping SCAN and continuing in the region only for FM. The sta listening to a statioPress the or button. SPORT NEWS POP The current programme type appears ROCK CLASSICS in the display. Using the PTY function, you can direct.

If you want to select another pro ly select stations of a particular pro gramme type, you can do so by gramme type.PTYEON Or If you specify the programme type and EON receiver. EON stands for En Setting the traffic hanced Other Network. Every time a traffic announcement TA announcement volume is transmitted, you will automatically be. Press the MENU button Switching radiomonitorBriefly displaying the time "PAUSE" appears in the display. To display the time, Cancelling pause. A throughput of up to 200 packs per minute, a weighing range from 20 g to 6 kg and high weighing accuracy positions the C31 StandardLine Checkweigher as best in class for efficient and reliable weighing applications. The dependable accuracy of this C31 StandardLine checkweigher allows its use in a very wide and varied range of industrial production situations. It provides reliable 100 percent weight control for standard weighing applications. A range of conveyors and handling options allow for the optimal transport of open products such as jars, trays and cans.We would like to let you know that some features on the site may not be available or may not work as nicely as they would on a newer browser version. If you would like to take full advantage of the site, please update your web browser to help improve your experience while browsing www.mt.com. TLC is here to help you pass your California contractors license exam! The best C31 exam course available in California at ANY price! We will help! New online tools will help you correctly fill out your original C31 Traffic Control exam application. Fill out the form call us for assistance, and schedule a free line by line review of your application before submission to the CSLB! Our students dramatically improve their test scores and pass the C6 Finish Carpentry exam. The manual also includes General Knowledge questions and a summary of English vs.Our program is a reliable and affordable way to pass the Construction Zone Traffic Control exam.

Our audio and video lectures cover our Math Review. Expert instructors with decades of experience covering key math concepts that you must know, while in the comfort of your home, car, or office. When you already know an answer, mark it as done, and you won't see it again. Don't know the answer. Then mark it for further study. In this way, you gain realtime feedback, so you can concentrate on the subjects that you need to improve. Verify your progress as you master the study material. Our course includes one online practice exam plus an exam update consisting of the absolute latest test questions. Take your C6 Finish Carpentry exam with complete confidence. We update exam questions regularly to reflect changing trends in exam focus based on current user feedback. All students in our C31 Traffic Control course can call us at 8666858564 for assistance. California codebooks can be viewed online www.bsc.ca.gov The state of California, Department of Transportation, Caltrans. PHONE 916 6542852 INTERNET www.dot.ca.gov The state of California, Department of Transportation, Caltrans. PHONE 916 6542852 INTERNET www.dot.ca.gov The state of California, Department of Transportation, Caltrans. PHONE 916 6542852 INTERNET www.dot.ca.gov However, if you miss three or more questions, you are in danger of failing the TRADE portion of the Contractor Exam. Cyclists need to get through the closure. What is the BEST option for the C31 contractor We promise you will be very glad you did! Call us from 8am10pm, MonSat, for a free consultation. We promise you will be very glad you did! The best Law exam course available in California at ANY price! Fill out the form, call us for assistance, and schedule a free line by line review of your application before submission to the CSLB! There are no complicated legal codes to decipher! Our program is ideal for busy professionals who need an affordable, reliable

way to pass the law exam. Don't know the answer. Then mark it for further study.

In this way, you gain realtime feedback, so you can concentrate on the subjects that you need to improve. Our course includes four online practice exams, plus an exam update consisting of the absolute latest test questions. Take your Law exam with complete confidence! Questions are updated weekly to reflect changing trends in exam focus based on current user feedback. PHONE 800 2231940 INTERNET www.lexisnexis.com California Employment Development Department. National Association of State Contractors Licensing Agencies NASCLA. PHONE 623 5879354 INTERNET www.nascla.org BNI Building News. PHONE 888 2642665 INTERNET www.bnibooks.com Internal Revenue Service. We promise you will be very glad you did! Call us from 8am-10pm, Mon-Sat, for a free consultation. We promise you will be very glad you did! Definitions for the "D" subcategories were developed by staff and approved by the Board as policy. D3 Awnings An awning contractor installs, modifies or repairs aluminum, metal, vinyl or canvas awnings and patio covers. These installations can be either freestanding or attached to a structure. Patio enclosures or carports are not included in this classification. D4 Central Vacuum Systems A central vacuum systems contractor installs, modifies, maintains or repairs central vacuum systems, pneumatic tube dispatching systems or any other type of pipeline which operates systems of reduced pressure for any purpose. D6 Concrete-Related Services A concrete-related services contractor installs reusable steel concrete form sections or interlocking precast pavers; performs posttensioning work, concrete sawing, breaking, curing, floor hardening treatment, coloring concrete, concrete restoration, coring work or operates a concrete pumping service; and also includes the application of gunite, but does not include the installation of reinforcing steel.

D9 Drilling, Blasting and Oil Field Work A drilling, blasting and oil field work contractor does core and post hole drilling, horizontal drilling no piping and drilling for placement of charges and performing blasting work; performs drilling for site dewatering, oil well drilling, and other oilfield-related specialty work. DOES NOT INCLUDE WATER WELL DRILLING D10 Elevated Floors An elevated floors contractor installs wood or metal framed elevated computer flooring systems. This work does not include the construction of mezzanines. D12 Synthetic Products A synthetic products contractor installs D21 Machinery and Pumps A machinery and pumps contractor installs, removes, modifies or repairs D24 Metal Products A metal products contractor installs, modifies or repairs the following D28 Doors, Gates, and Activating Devices A doors, gates and activating devices contractor installs, modifies or repairs all types of residential, commercial or industrial doors including overhead or sliding door assemblies. D29 Paperhanging A paperhanging contractor applies all types and varieties of decorative wall coverings, except painting or paneling, including paper and vinyl goods, cork, burlap and carpet-type wall coverings. This work also includes but is not limited to the injection of concrete or mortar into foundations for stabilization purposes. D31 Pole Installation and Maintenance A pole installation and maintenance contractor installs wood or precast poles to support the wiring or cable that is installed by others or installs and maintains flagpoles. D35 Pool and Spa Maintenance A pool and spa maintenance contractor installs, replaces or repairs pool motors, pumps, filters, gas heaters and any aboveground piping in connection with pools; includes electrical switches, breakers, pool lights, diving boards, existing solar systems that heat pools, pool and spa acid baths, and applies vinyl liners to existing surfaces.

D39 Scaffolding A scaffolding contractor erects metal or wood scaffolding including temporary sidewalk sheltered construction work barricades. This contractor also performs the installation of auto hoisting equipment, grease racks, compressors, air hoses, and other service station equipment. Licenses issued after this date may perform the "calibration" work only. D41 Siding and Decking A siding and decking contractor applies or installs all types of exterior siding including wood, wood products, vinyl, aluminum and metal siding to new or existing buildings. This contractor also constructs wooden decks and related handrails. This work shall not include the construction or

installation of covers or enclosures of any kind. D42 Non Electrical Sign Installation A nonelectrical sign installation contractor fabricates and installs all types of nonelectrical signs including, but not limited to post or polesupported signs, signs attached to structures, painted wall signs, and modifications to existing signs. D49 Tree Service A tree service contractor prunes trees, removes trees, limbs or stumps including grinding and engages in tree or limb guying. D50 Suspended Ceilings A suspended ceilings contractor installs, modifies or repairs all types of suspended ceilings including, but not limited to layingrid and other types of systems involving solid, perforated or translucent ceiling panels no electrical work. D53 Wood Tanks A wood tanks contractor erects or repairs elevated wooden storage tanks and related cooling towers. Hot tubs are not included. D56 Trenching A trenching contractor is limited to trenching only for foundations, pipelines, conduit and related trenching work. D59 Hydroseed Spraying A hydroseed spraying contractor applies seeds through any liquid media to any type of surface that has been prepared or contoured by others.

<http://www.bouwdata.net/evenement/3m-2660-manual>