

Bushido blade 2 manual



File Name: Bushido blade 2 manual.pdf

Size: 4328 KB

Type: PDF, ePub, eBook

Category: Book

Uploaded: 5 May 2019, 13:11 PM

Rating: 4.6/5 from 673 votes.

Download Now!

Please check the box below to proceed.



I'm not a robot



reCAPTCHA
Privacy - Terms

Book Descriptions:

Bushido blade 2 manual



My email is probably the best way to reach me quickly. Its been years since I last contacted Sleepy. If the email address doesnt work then I dont know how you would contact him. Now that the site is running properly again we will just have to wait to see if any of the editors return. Are new manuals not being added anymore? For more information on our stance on this topic and reasoning behind it, please check our FAQs page. If you are the copyright holder of anything listed herein and still want your documentation removed after reading the FAQ page, please send feedback and it will be removed. Dont have an account. Sign up for free! The most common causes of this issue are Using GameFAQs regularly with these browsers can cause temporary and even permanent IP blocks due to these additional requests. This triggers our antispambot measures, which are designed to stop automated systems from flooding the site with traffic. Continued use of these apps may cause your IP to be blocked indefinitely. There is no official GameFAQs app, and we do not support nor have any contact with the makers of these unofficial apps. Please fill out the CAPTCHA below and then click the button to indicate that you agree to these terms. Continued abuse of our services will cause your IP address to be blocked indefinitely. FAQ Bookmarks Access and manage the bookmarks you have added to different guides. Bounty Write a guide for a Most Wanted game, get cash. Game Companies A list of all the companies that have developed and published games. Game Credits A list of all the people and groups credited for all the games we know of. Most Wanted The Top 100 popular games without full Guides on GameFAQs. My Games Build your game collection, track and rate games. Rankings A list of games ranked by rating, difficulty, and length as chosen by our users. Top 100 The Top 100 most popular games on GameFAQs today. Whats New New games, guides, reviews, and more. All rights reserved. Dont have an account. <http://contua.org/userfiles/dell-e6530-service-manual.xml>

- **bushido blade 2 manual, bushido blade 2 manual download, bushido blade 2 manual pdf, bushido blade 2 manual free, bushido blade 2 manual diagram.**



Sign up for free! The most common causes of this issue are Using GameFAQs regularly with these browsers can cause temporary and even permanent IP blocks due to these additional requests. This triggers our antispambot measures, which are designed to stop automated systems from flooding the site with traffic. Continued use of these apps may cause your IP to be blocked indefinitely. There is no official GameFAQs app, and we do not support nor have any contact with the makers of these unofficial apps. Please fill out the CAPTCHA below and then click the button to indicate that you agree to these terms. Continued abuse of our services will cause your IP address to be blocked indefinitely.

FAQ Bookmarks Access and manage the bookmarks you have added to different guides.
Bounty Write a guide for a Most Wanted game, get cash.
Game Companies A list of all the companies that have developed and published games.
Game Credits A list of all the people and groups credited for all the games we know of.
Most Wanted The Top 100 popular games without full Guides on GameFAQs.
My Games Build your game collection, track and rate games.
Rankings A list of games ranked by rating, difficulty, and length as chosen by our users.
Top 100 The Top 100 most popular games on GameFAQs today.
Whats New New games, guides, reviews, and more. All rights reserved.

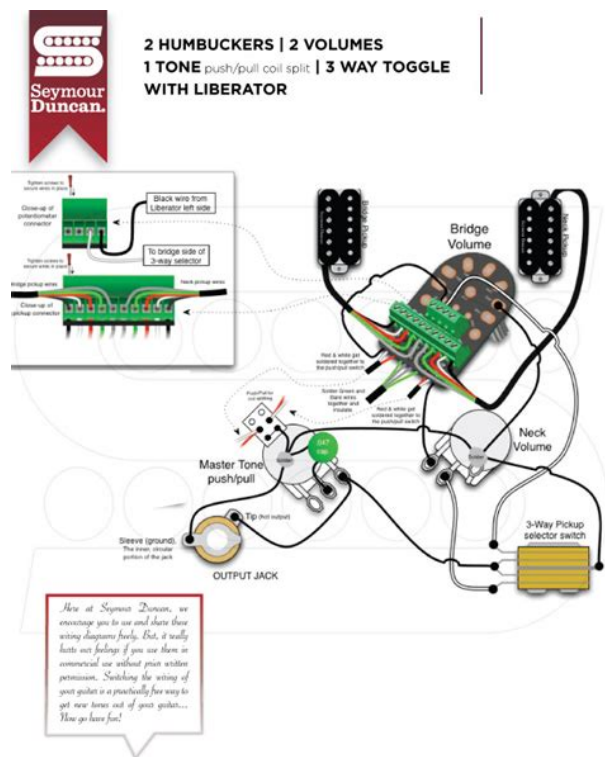
Something went wrong. View cart for details. All Rights Reserved. User Agreement, Privacy, Cookies and AdChoice Norton Secured powered by Verisign. Important! Registration possible through OpenID and via email. Important! Registration possible through OpenID and via email. Used Like New Please try again. Please try again. Please choose a different delivery location. Disc condition ranges from flawless to scratched but is guaranteed to work. In order to navigate out of this carousel please use your heading shortcut key to navigate to the next or previous heading. <http://daedukgs.com/admin/fckeditor/data/20200918112012.xml>



In order to navigate out of this carousel please use your heading shortcut key to navigate to the next or previous heading. Page 1 of 1 Start over Page 1 of 1 In order to navigate out of this carousel please use your heading shortcut key to navigate to the next or previous heading. Register a free business account Please try your search again later. Bushido Blade completely redefines the genre of fighting games and does it with panache. 6 fighters 8 weapons and one winnertakeall round of the fiercest combat youve ever seen on a videogame. Here comes Bushido Blade, a straightforward fighting game that totally redefines the genre. Bushido Blade is a bold undertaking, but a remarkably successful one its fresh, unique, and could never have happened without todays technology. Bushido Blade opens with a stunning sword demonstration, and the games visual integrity becomes obvious within seconds. The games graphics, while not the sharpest or fastest, are the most detailed ever seen in a polygonal fighter, and, at a consistent 30 frames per second, rank among the smoothest in existence. The soundtrack, which combines traditional Japanese instrumentation with a fastpaced, modern rhythm section, is also striking. While the ingame speech is somewhat limited, the sounds of each battle are dazzling in their variety. The games most remarkable feature, however, is each stages continuous fighting environment. For instance, you can race through the snow leaving tracks in your wake past a garden and over a wooden bridge to the village beyond, then leap into a mud hole and race your way to the train station, where you can escape into an underground river and clean yourself off. Did I mention youre battling all this time. A brief load time separates the different areas of town, but it hardly detracts from the experience. Of course, running around isnt what Bushido Blades all about.

You choose from six honorable samurai warriors and select from the following eight classical weapons katana, rapier, naginata Japanese polearm, broadsword, war hammer, short sword, nodachi Japanese long sword, and saber. Each battlehardened fighter is proficient with at least one weapon, though you can use any. Once armed, you can switch among high, middle, and low combat stances at will and attack in at least three different fashions. Different weapons demand different strategies; the lightweight katana is ideal for midlevel slashes, while the hammer is best for crushing overhead blows. You can parry the opponents attack, attempt to counter it, or swing right through it, but defending will only take you so far; the moment a clean hit connects, its all over. This is Bushido Blades most exciting and preposterous feature, destined to earn it just as many fans as detractors each match consists of one round, and if you survive an enemys attack, consider yourself lucky. Of course, you neednt go straight for the kill every time consider laming your opponent the legs make easy targets or slashing his arm he will continue fighting onehanded. The story mode reflects damage from match to match, with bloody bandages on your character and more. But as good as Bushido Blade is, theres still some room for improvement. For instance, the fighter will never drop

his weapon. Likewise, though the swordsmans arm or leg may be injured, it is impossible to damage both. Not to mention that grappling of any kind is conspicuously absent. Bushido Blade also features a number of very cool gameplay options. These include a terrifyingly welldone firstperson battle mode complete with twoplayer linkup and the option to toggle between winter and spring settings for various backdrops. Each fight also has a number of dramatic outcomes, namely the different death throes that change with each killing blow, which are nothing short of awesome.



<https://www.becompta.be/emploi/3g3jv-a4015-manual>

Combined with the selection of stylish fighters and weapons, the replay value in this title is vast. All rights reserved. Reproduction in whole or in part in any form or medium without express written permission of GameSpot is prohibited. GameSpot and the GameSpot logo are trademarks of GameSpot Inc. GameSpot Review Savings represents a discount off the List Price. To calculate the overall star rating and percentage breakdown by star, we don't use a simple average. Instead, our system considers things like how recent a review is and if the reviewer bought the item on Amazon. It also analyzes reviews to verify trustworthiness. Please try again later. King of the Stream 4.0 out of 5 stars This is the game that set the bar for how realistic, and even nonrealistic, sword fighting games should be. Sometimes you can cut down thirty swordsmen in a row and sometimes one can cut you down thirty times in a row. Its a very deep and complex fighting system of perfecting what stances to use, when to swing, and when to block. Gameplay On paper the concept seems pretty simple, theres attacking, blocking and different stances. There are three different stances per weapon, each with different attack animations and different strengths. Do you want to try going in for a quick kill, but may leave you completely open. Go for the high stance. Want to go for a more defensive maneuver to provide a good counterattack kill. Try a welltimed low stance. What also makes the fighting ore complex is that you can also disable your opponents arms or legs. If you disable their arm, then they can only use limited sword techniques and they can no longer throw weapons or dirt at you. If you disable your opponents legs, then they only have limited movement and limited sword techniques, but they can still throw weapons. Even if you opponent is disabled though, do not count them for dead, a skilled opponent can be just as deadly and they can still take

you down with a welltimed swing.

<https://diatecgroup.com/images/boss-rc-50-manual-deutsch.pdf>



POV mode allows you to fight in first person against an AI or a human, if you systemlink, this is a pretty interesting mode, think of it as the early predecessor of Red Steel. It just seemed more complicated when it came to the movement and moves. Also the story mode with multiple amounts of Ninjas to fight did not win me over. So after being disappointed with that game I decided to get the first one. This game was WAY MORE BETTER AND DEFINITELY WOULD RECOMMEND. This game is perfect for anyone who loves classic fighting games. Although it is extremely different from most fighting games since its based on a 3 button fighting system and doesnt have those 56 combo abilities, it definitely lives up to its name. The stages are breath taking even in their 90s graphics. The story mode did not include those annoying ninjas which was definitely an upside but the story mode did seem very short. But besides that, no complaining here. Its a weaponbased fighter, but dont expect something along the lines of SoulCalibur. The game has no timer or health bars, very little HUD headsupdisplay, and large somewhat destructible environments. Fights can end in one wellplaced sword slash, lending the game a seemingly wild unpredictability. Theres a lot to it, but even newbies to the game will find Bushido Blades samurai duels simply awesome. This is some of the most fun Ive ever had with a oneonone competitive fighter if you can call it that. Two player is fun, and so difficult! Not to mention how advance the game is with its destructible environments, persistent character injuries and huge area for free roaming. While Bushido Blade 1 isnt as easy to control as Bushido Blade 2, it is still a great game and more fun than should be had with a PS1. In order to navigate out of this carousel please use your heading shortcut key to navigate to the next or previous heading. Product images are stock photos and may differ from what are available.

<http://dieter-sauter.com/images/boss-rc-50-manuale-italiano.pdf>



To succeed, you'll need to master different fighting stances while progressing through a series of battles on predominately outdoor maps. Play modes include Story, Practice, Versus, Tournament, and Link. Each character wields one of nine weapons, from a katana and long sword to a rifle and revolver. Bushido Blade 2 also features an option to view the action from a firstperson perspective in select modes. All roms have multiple mirrors and work across all devices. Back to Top. Country United States; Bushido Blade PlayStation 1 PS1 Complete Near Mint Black Label Squaresoft. Free and instant download. Download Bushido Blade 2 ROM for PSX completely free. PSX. Bushido Blade 2. Download Bushido Blade 2 Geogebra for macbook, South movies in hindi, Libssl centos 6, 3750x pps, Background eraser app. Reload to refresh your session. Reload to refresh your session. Tested and working. " Learn more opens in a new window or tab This amount is subject to change until you make payment. For additional information, see the Global Shipping Programme terms and conditions opens in a new window or tab This amount is subject to change until you make payment. If you reside in an EU member state besides UK, import VAT on this purchase is not recoverable. For additional information, see the Global Shipping Programme terms and conditions opens in a new window or tab Learn More opens in a new window or tab Learn More opens in a new window or tab Learn More opens in a new window or tab Learn More opens in a new window or tab We improve the quality of life of our patients by offering specialist care which is holistic and individually tailored. We offer specialist inpatient care, symptom control, end of life care, day care, planned shortterm respite care, social care and more. This care is free of charge and therefore we rely on funds raised in the community. May have tears or holes in VHS or DVD box.

The video game instructions and box may not be included. See the seller's listing for full details and description of any imperfections. Tested and working. " Contact the seller opens in a new window or tab and request post to your location. Please enter a valid postcode. Please enter a number less than or equal to 1. Sellers may be required to accept returns for items that are not as described. Learn more about your rights as a buyer. opens in a new window or tab You're covered by the eBay Money Back Guarantee if you receive an item that is not as described in the listing. All Rights Reserved. User Agreement, Privacy, Cookies and AdChoice Norton Secured powered by Verisign. This game requires Adobe Flash to play, so please install or enable it if you wish to play. Become the inner warrior you have always known. If you're simply looking for more incredible action then you'll definitely enjoy other popular games, such as Castlevania Symphony of the Night, Werewolf The Last Warrior and the fantastic Pitfall 3D Beyond The Jungle ! It has been played 8874 times and is available. Certain conditions may induce previously undetected epileptic symptoms even in persons who have no history of prior seizures or epilepsy. GROUP BATTLE MODE Two Players A group tournament using bamboo weapons. First, select the number of entries on each team, point system and time limit. When a player chooses a school, the opponents school will be selected automatically. Select the order of the characters and weapons they will use. A hit that counts as a fatal hit using real swords will count as one point Ippon. If players have set up the tournament for onepoint matches, the player who gets a point first will win the match. If players set up the tournament for threepoint matches, the player who gets two points first wins the match. If a player steps out of the white line, falls or hits at the same time, the match will start over.

<http://cgt-fo-csc.fr/wp-content/plugins/formcraft/file-upload/server/content/files/1626c7a188d8a0---carrrier-30gb-chiller-manual.pdf>

If a player intentionally steps out of the white line, a warning will be issued. If both players have the same number of points, then the player with fewer warnings will win. The winner will earn a point for having fewer warnings. If players have the same number of points and warnings, the match will end in a tie. When all matches are completed, the side that won more matches will win the tournament. If the number of wins are the same, the side with more points will win the tournament.

If the points are the same, the tournament will end in a tie. Game Modes. HOW TO START LINK MODE Make sure the PlayStation game consoles are turned off. Insert one Bushido Blade 2 Disc into each PlayStation game console and close the Disc covers. After both players have chosen their characters and weapons, either player can select the battle stage. A POV game in Link Mode will begin. Credits. Tetsuhisa Tsuruzono Tetsuo Mizuno Tomoyuki Takechi Hironobu Sakaguchi Hisashi Suzuki Ichiro Nonaka QA Analysts Sissie Chang Stephen A. Holder Stanford Ng Mari Nishikawa Vangthonhoua Moua Takahiro So Simon Son James P. Wong Kyoko Makino Sean Camanyag. Localization Director. In any way cant Lastmanuals be held responsible if the document you are looking for is not available, incomplete, in a different language than yours, or if the model or language do not match the description. Lastmanuals, for instance, does not offer a translation service. All DKs used games are cleaned, tested, guaranteed to work, and backed by our 120 day warranty. All Sony Playstation 1 games are compatible and will play on the PS1, PS2, and backwards compatible PS3 system consoles. During the migration process, uploads and reuploads will be disabled. We expect this migration to take a couple days. Thanks for your patience. Retrieved on 20090112 PlayStation Network November 26, 2008 Its name refers to the Japanese warrior code of honor, Bushido.

agrobrasil.com/userfiles/files/canon-pixma-ip6210d-manuale.pdf

Another game with a related title and gameplay, Kengo Master of Bushido, was also developed by Light Weight for the PlayStation 2. Unlike most fighting games, however, no time limit or health gauge is present during combat. Most hits will cause instant death, where traditional fighting games required many hits to deplete an opponents health gauge. It is possible to wound an opponent without killing them. Each weapon has a realistic weight and length, giving each one fixed power, speed, and an ability to block. The player also has a choice of one out of six playable characters. Similar to the weapons, each one has a different level of strength and speed, and a number of unique special attacks. Some characters have a subweapon that can be thrown as well. All the characters have differing levels of proficiency with the selectable weapons and have a single preferred weapon. Because battles are not limited to small arenas, the player is encouraged to freely explore during battle. The castle compound which most of the game takes place in acts as a large hub area of interconnected smaller areas including a cherry blossom grove, a moat, and a bridge labyrinth. Some areas, such as the bamboo thicket, allow some interaction. Other single player options include a practice mode and a first person mode. Slash mode pits the players katana wielding character against a long string of 100 enemies, one after the other. Once led by the honorable swordsman Utsusemi, he lost his position to Hanzaki, another skilled member of the dojo, in a fierce battle. Hanzaki gained respect as the Kage leader, until he discovered a cursed sword known as Yugiri. Several other members of the society, under penalty of death, are sent to dispatch the defector, only catching up to him or her within the ruins of the surrounding Yin and Yang Labyrinth Castle.

In single player mode the players take on the role of the escaped assassin independent of whatever character they choose, fighting their way out by killing their comrades one by one. Elements of the game story differ with each character selected. Uses a gun, and is thus able to use longrange attacks, putting him at a slight advantage. However he is unable to fight at all once his legs are damaged putting the fight to an abrupt end. He is selectable after completing Slash Mode on Hard without dying, but is only in VS mode. Uses a weapon similar to the naginata, except it has a blade on both sides. She uses a sword that is used in a similar manner to the rapier, although it is slightly wider. Uses a sword known as Yugiri which he does so the same the player would a katana, except for one move which is for the Nodachi. A silent warrior in red armour who uses a sword which seems to be a more decorated version of the Nodachi. Can be fought by Red Shadow, Utsusemi, and Mikado. He appears in Mikados ending. A young man with a sword that has a few moves for the long sword, but

is otherwise unique. It was released with the soundtrack for Squares Driving Emotion TypeS, also composed by the trio, on a two-disc set in 2001. Game content and materials are trademarks and copyrights of their respective publisher and its licensors. All rights reserved. This site is a part of Fandom, Inc. Over the centuries since, the two families evolved into ninja clans, but their hatred of each other never faded. Now, in the 20th century, the Shainto, descendants of the Sue, are in a position to bring vengeance on the Narukagami. The game features the Story Mode, Versus Mode and Slash mode present in the original game as well as a new tournament mode, where the two sides face each other with shinai and other bamboo weapons in a kendo like ring.

Fighters have different styles including some with two sword nito and iaijutsu styles and there are many weapons to choose from although the hammer has been replaced with the yari spear. The controls have changed somewhat, but stances are still in the game, as are one-hit kills if blows strike a sensitive part of the body. As progress is made in the story mode, supporting characters will be encountered. If beaten, those characters will become available for play in the game's other modes. And a single blow can still make the difference between life and death. There are others that will work better or worse for your particular hardware. We provide you with one working setup so that you may get the game up and running, hassle-free. When more accurate information is obtained, the entry will be updated adding the missing information. You will find instructions on how to proceed. No life bars, no time limits, no mercy. And a single blow can still make the difference between life and death. 12 new warriors for a total of 20 New weapons, subweapons, stances and moves 6 fighting modes, plus first-person view option Each character follows their own story path, with unique encounters and endings Two-handed swordplay, throwing weapons, mudslinging and more Unique body damage system allows you to incapacitate or kill with one well-placed strike Run, dodge, and slash through huge 3D settings All orders will be fulfilled promptly and you will receive notifications and tracking numbers upon shipment. New items are added regularly. We also have 3 Oregon locations with thousands of additional items in stock. If you have any questions, please don't hesitate to contact us. Classic fighting game. Game is complete and includes box, front inlay, back inlay, manual and discs. Includes Box hinge intact, good condition. Game has been tested in an original PS1 and is fully working. Grab yourself a bargain. Why not have a look in my shop for more PS1 games and accessories!

You are the light of the world.

<https://ayurvedia.ch/3g3jv-a4015-manual>